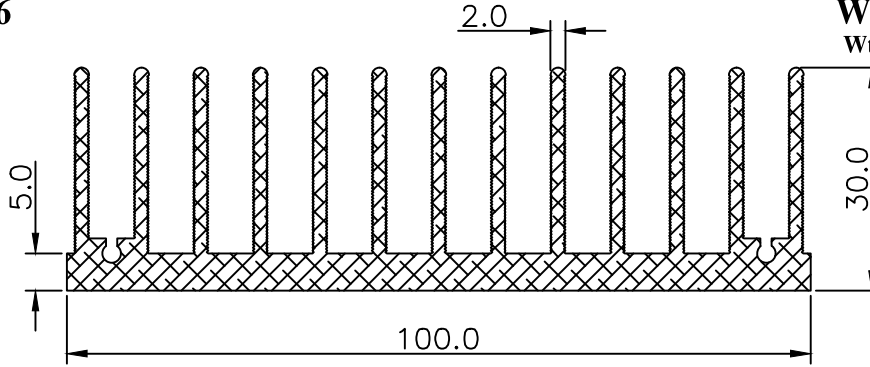


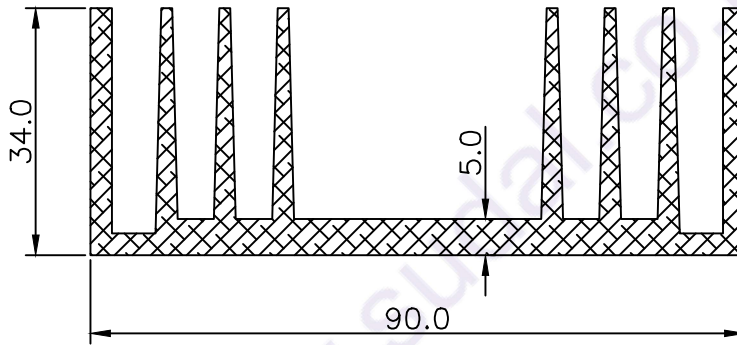
ELECTRONICS (Heat Sink)

HS2006



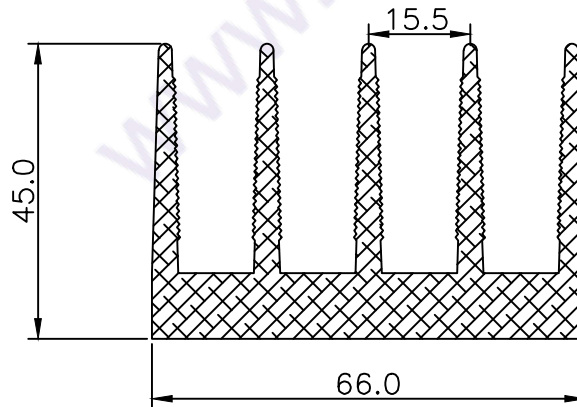
Wt.Kg./M-2.955
Wt.Kg./M 2.659-3.250

HS2013



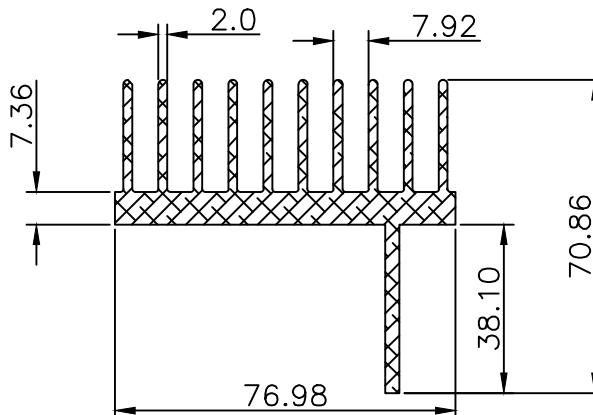
Wt.Kg./M-2.677
Wt.Kg./M 2.409-2.944

HS2035



Wt.Kg./M-2.288
Wt.Kg./M 2.059-2.516

HS2014

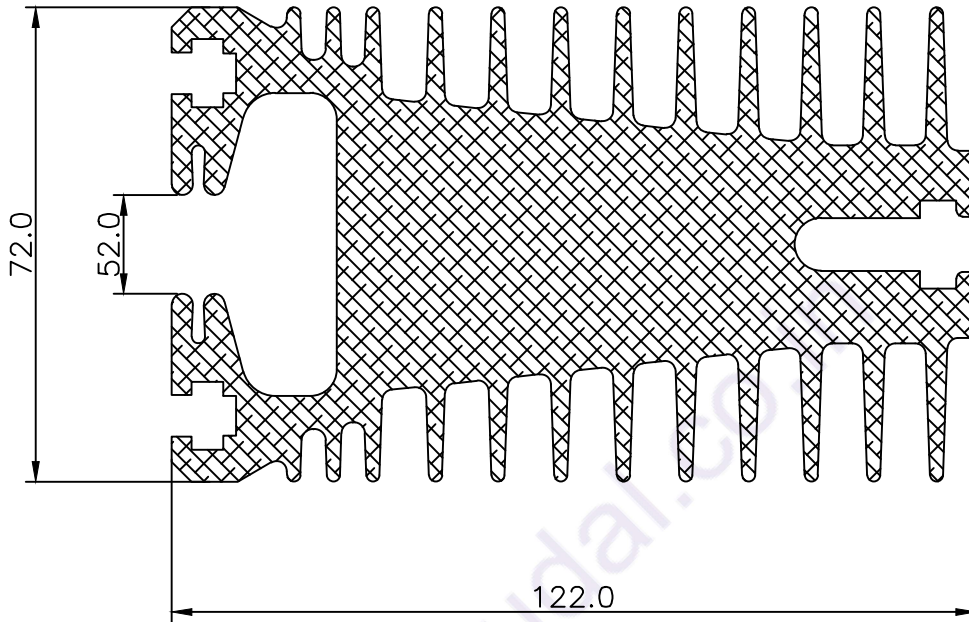


Wt.Kg./M-3.221
Wt.Kg./M 2.898-3.543

ELECTRONICS (Heat Sink)

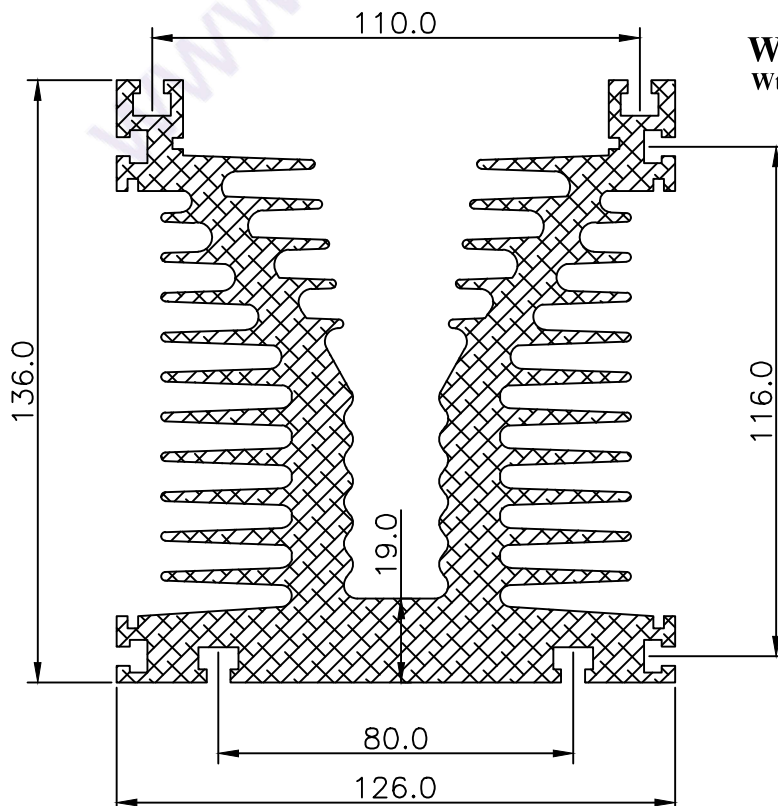
HS2009

Wt.Kg./M-13.264
Wt.Kg./M 11.937-14.590



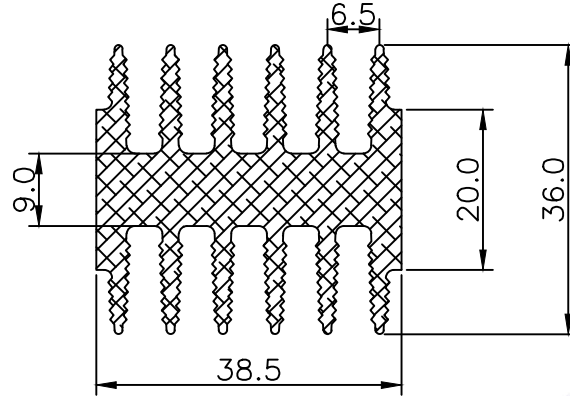
HS2053

Wt.Kg./M-17.839
Wt.Kg./M 16.055-19.622



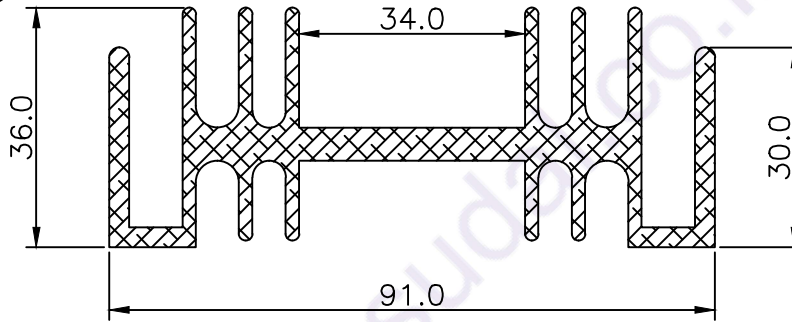
ELECTRONICS (Heat Sink)

HS2058



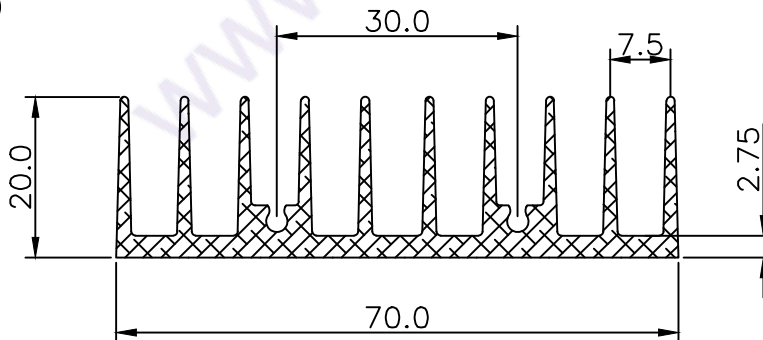
Wt.Kg./M-1.871
Wt.Kg./M 1.683-2.058

HS2019



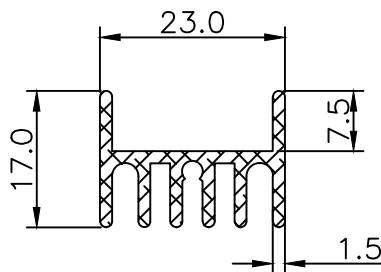
Wt.Kg./M-2.582
Wt.Kg./M 2.323-2.840

HS2070



Wt.Kg./M-1.244
Wt.Kg./M 1.119-1.368

HS2080



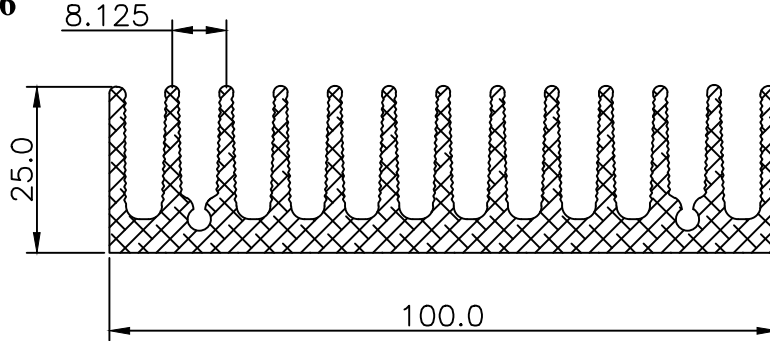
Wt.Kg./M-0.349
Wt.Kg./M 0.314-0.383

ELECTRONICS (Heat Sink)

HS2976

Wt.Kg./M-3.067

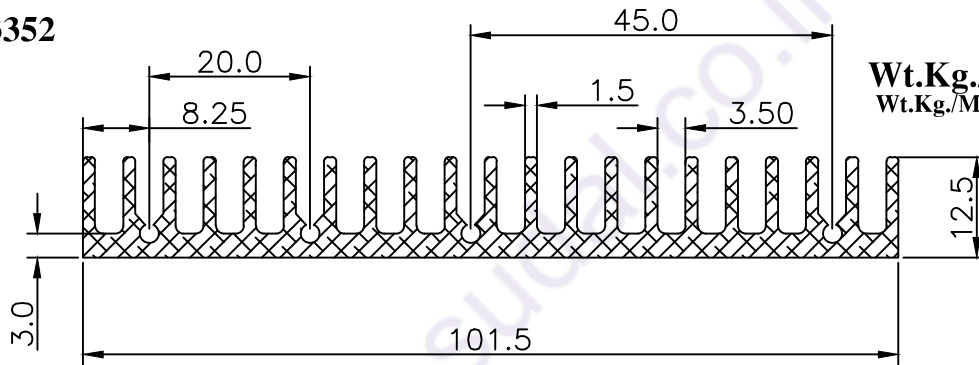
Wt.Kg./M 2.760-3.373



HS3352

Wt.Kg./M-1.652

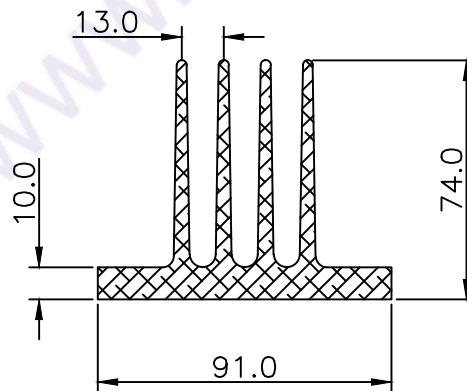
Wt.Kg./M 1.486-1.817



HS3372

Wt.Kg./M-5.279

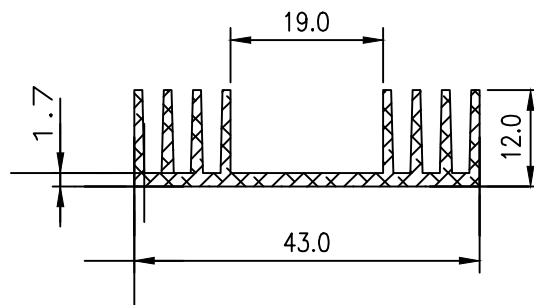
Wt.Kg./M 4.751-5.806



HS2002

Wt.Kg./M-4.062

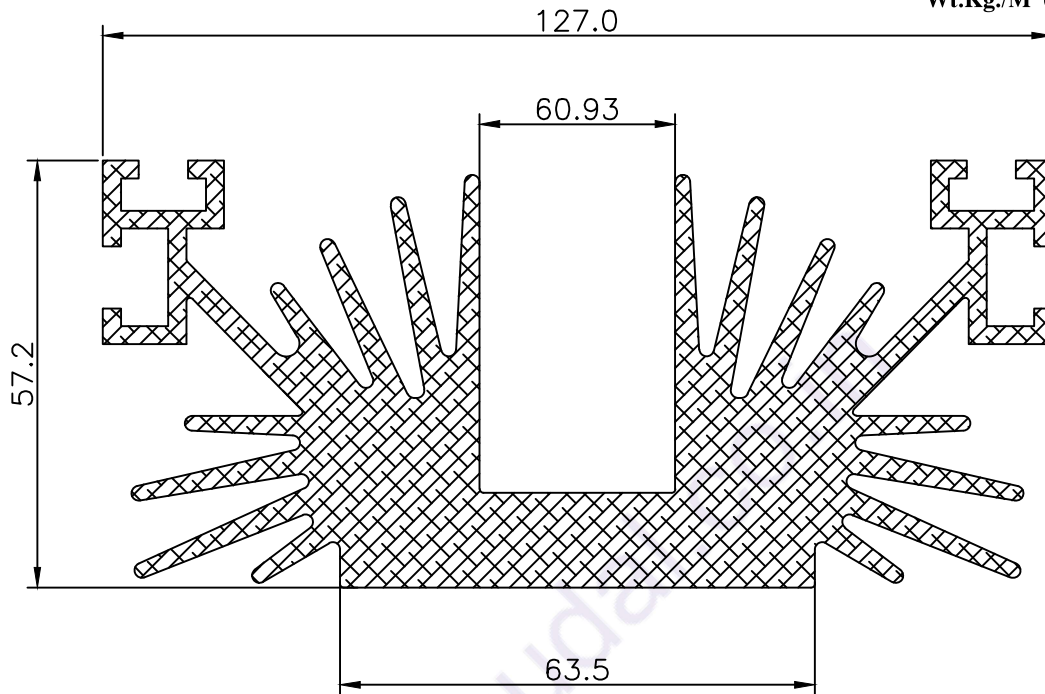
Wt.Kg./M 3.655-4.468



ELECTRONICS (Heat Sink)

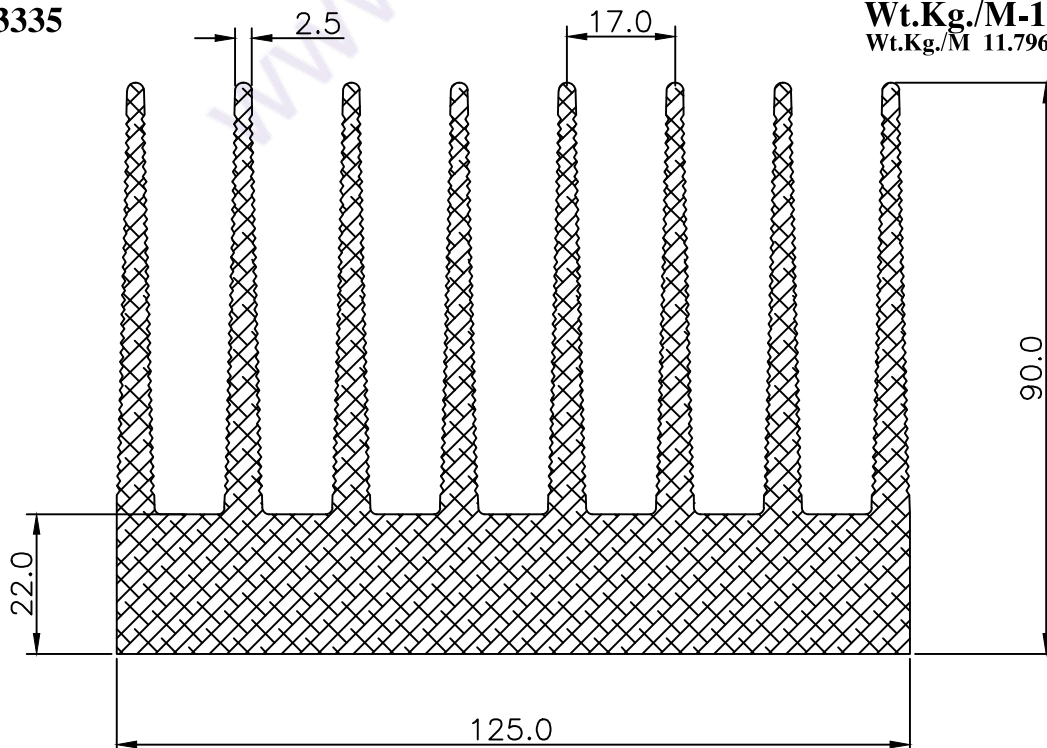
HS0145

Wt.Kg./M-7.758
Wt.Kg./M 6.982-8.533



HS3335

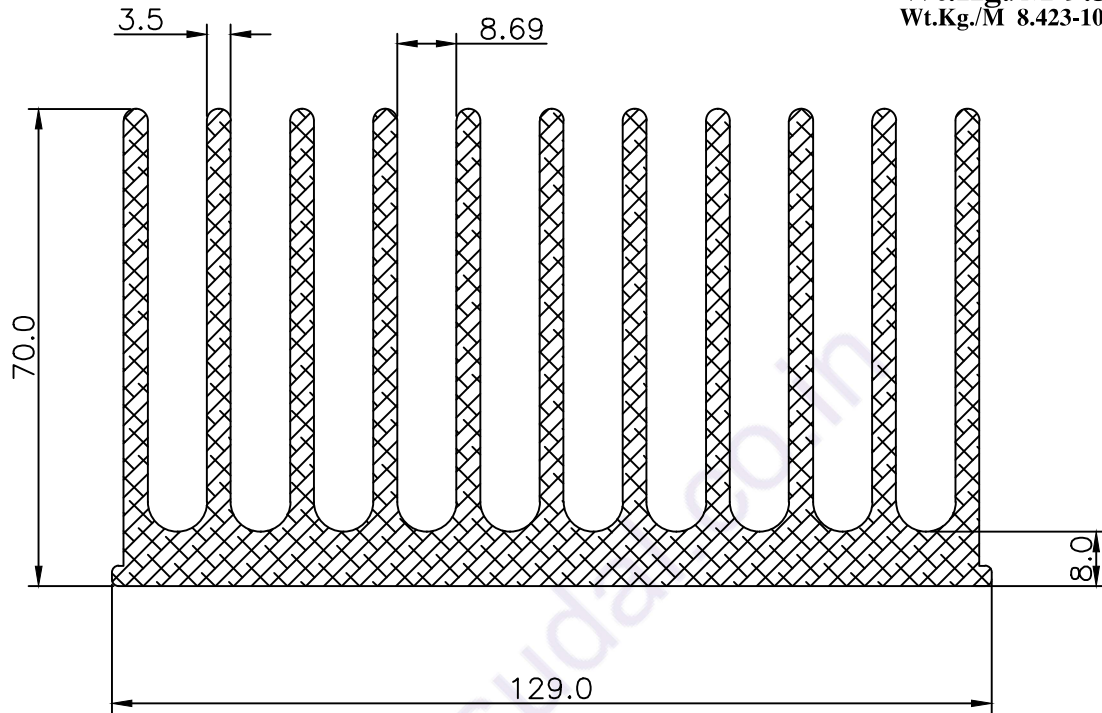
Wt.Kg./M-13.107
Wt.Kg./M 11.796-14.417



ELECTRONICS (Heat Sink)

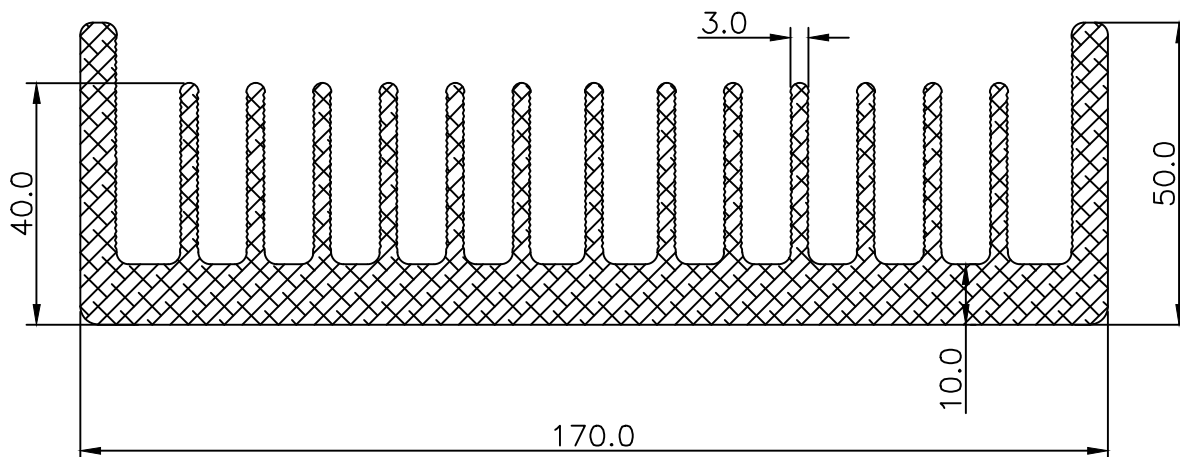
HS3365

Wt.Kg./M-9.359
Wt.Kg./M 8.423-10.294



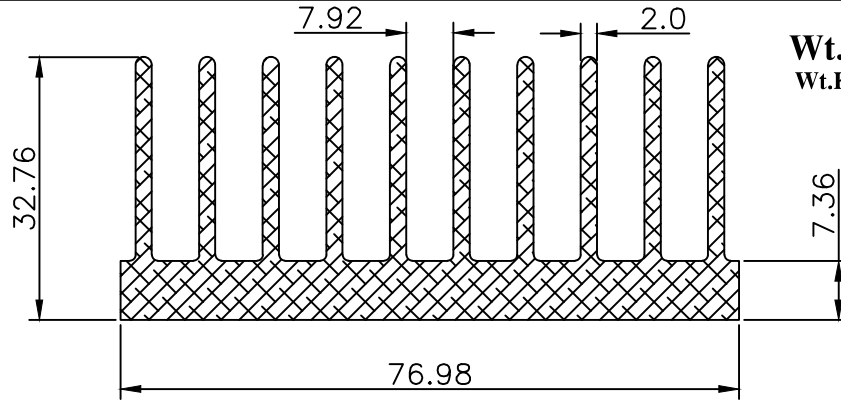
HS0019

Wt.Kg./M-8.805
Wt.Kg./M 7.924-9.685



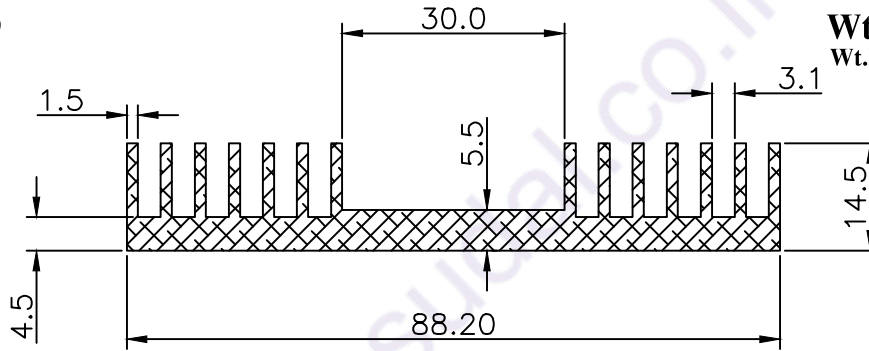
ELECTRONICS (Heat Sink)

HS2976



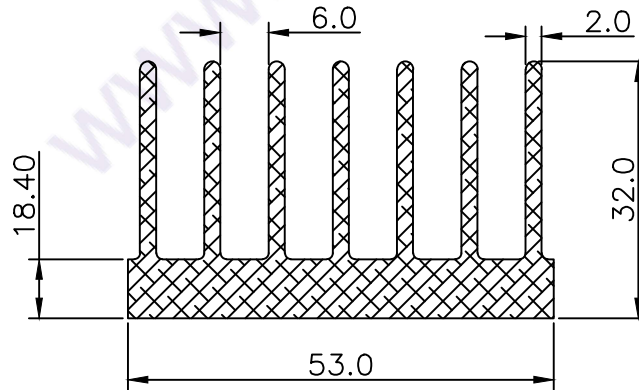
Wt.Kg./M-3.067
Wt.Kg./M 2.760-3.373

HS3369



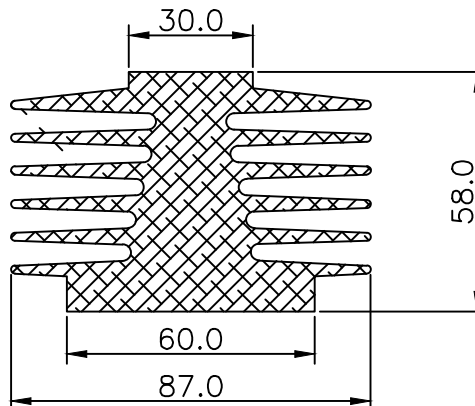
Wt.Kg./M-1.719
Wt.Kg./M 1.547-1.890

HS3363



Wt.Kg./M-2.030
Wt.Kg./M 1.827-2.233

HS3327

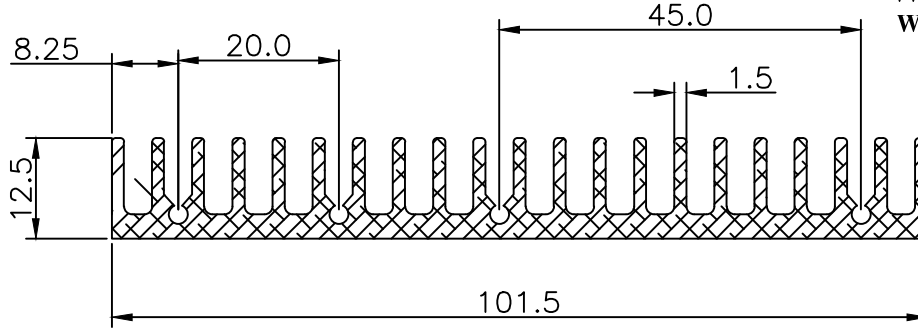


Wt.Kg./M-8.125
Wt.Kg./M 7.312-8.937

ELECTRONICS (Heat Sink)

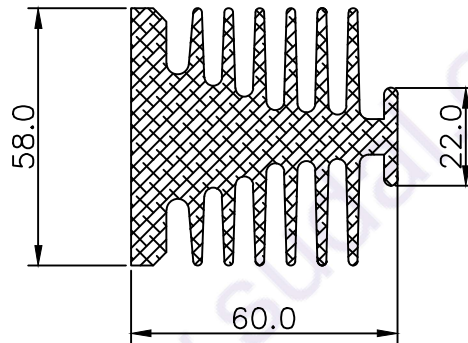
HS3352

Wt.Kg./M-1.654
Wt.Kg./M 1.488-1.819



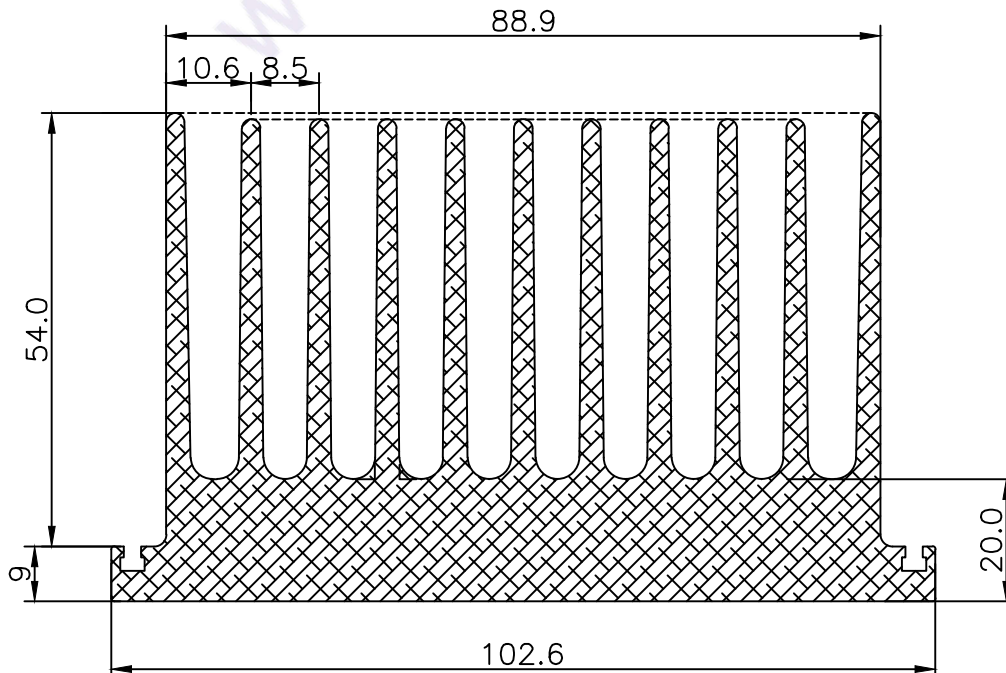
HS0080

Wt.Kg./M-5.297
Wt.Kg./M 4.767-5.826



HS0111

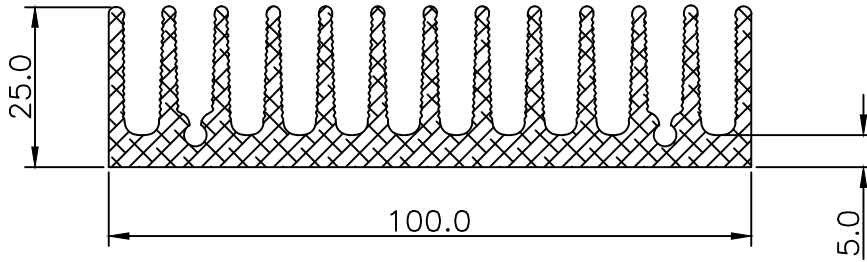
Wt.Kg./M. 12.974
Wt.Kg./M 11.676-14.271



ELECTRONICS (Heat Sink)

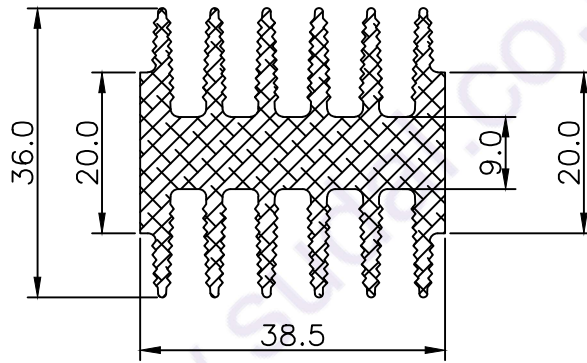
HS2976

Wt.Kg./M-3.067
Wt.Kg./M 2.760-3.373



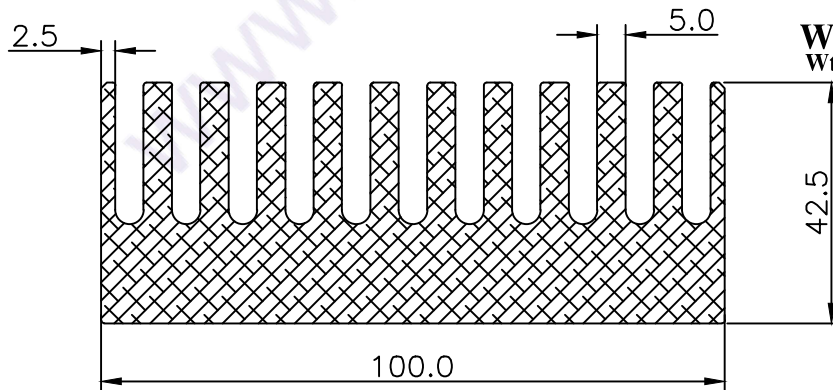
HS2058

Wt.Kg./M-1.871
Wt.Kg./M 1.683-2.058



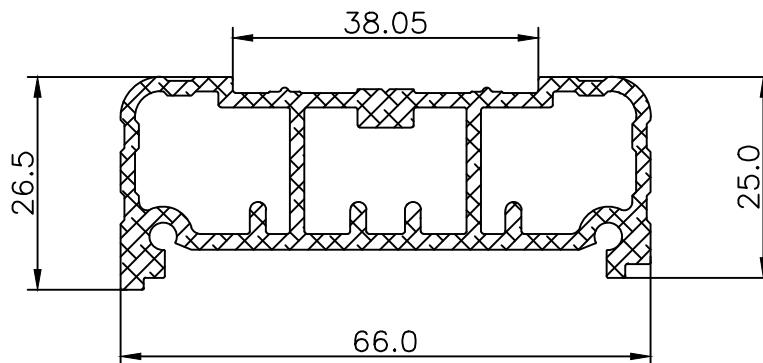
HS0365

Wt.Kg./M-8.983
Wt.Kg./M 8.084-9.881



HS0431

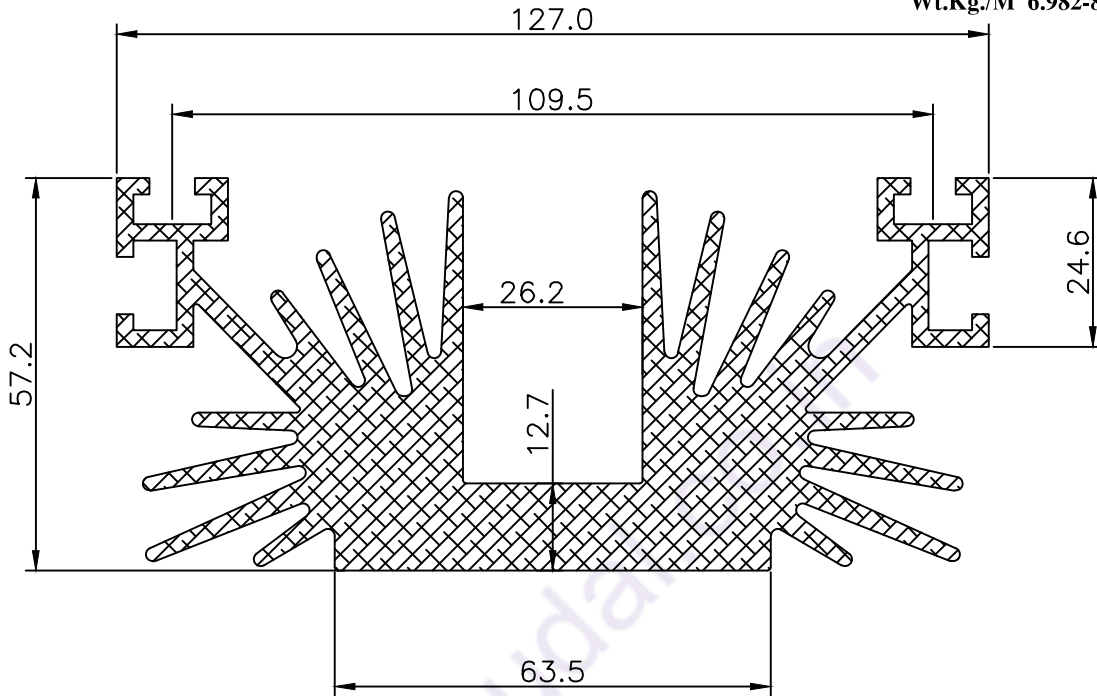
Wt.Kg./M-1.308
Wt.Kg./M 1.177-1.438



ELECTRONICS (Heat Sink)

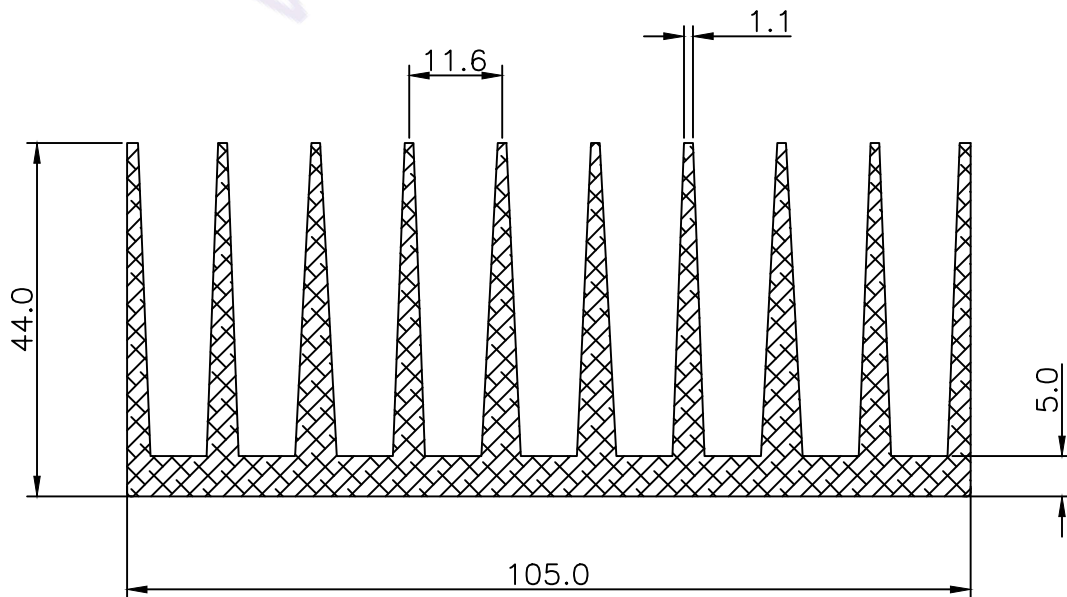
HS0145

Wt.Kg./M-7.758
Wt.Kg./M 6.982-8.533



HS0429

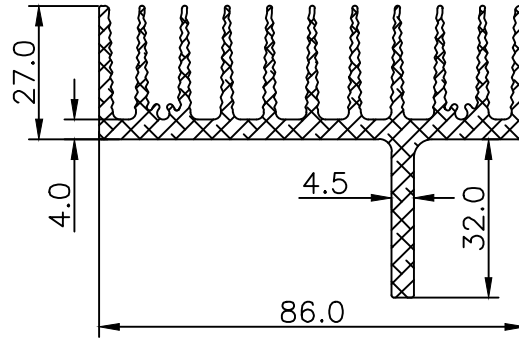
Wt.Kg./M-4.239
Wt.Kg./M 3.815-4.662



ELECTRONICS (Heat Sink)

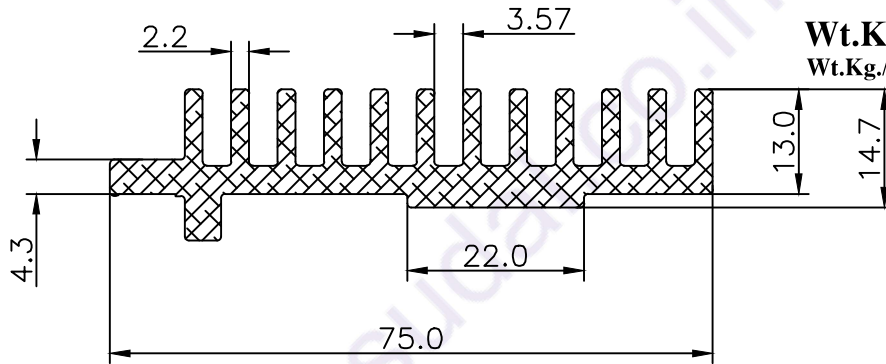
HS0426

Wt.Kg./M-2.641
Wt.Kg./M 2.376-2.905



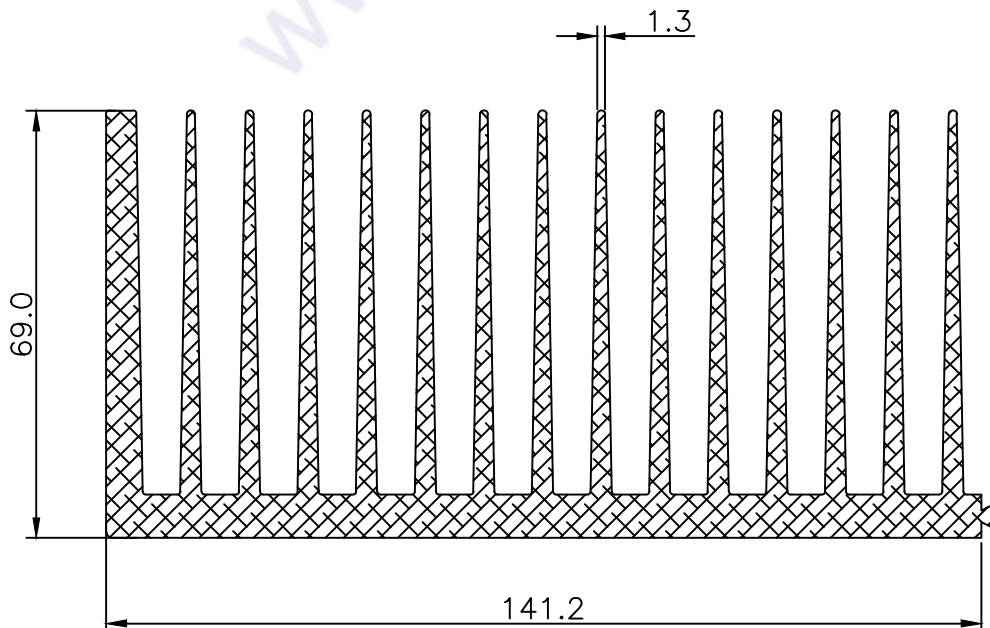
HS0445

Wt.Kg./M-1.578
Wt.Kg./M 1.420-1.735



HS0437

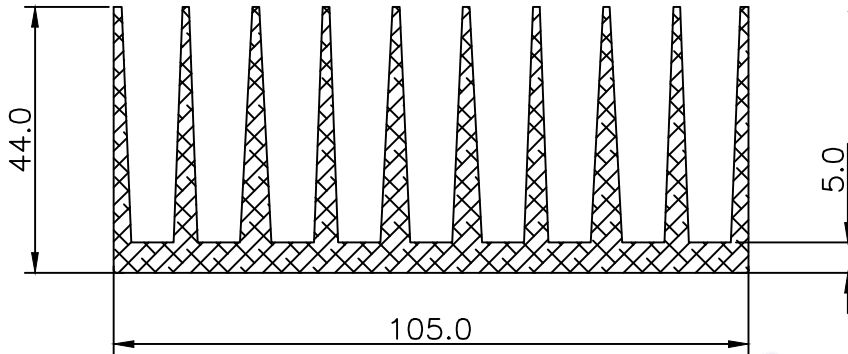
Wt.Kg./M-9.059
Wt.Kg./M 8.153-9.964



ELECTRONICS (Heat Sink)

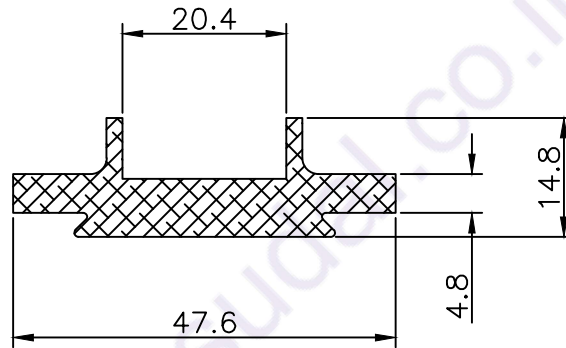
HS0429

Wt.Kg./M-4.239
Wt.Kg./M 3.815-4.662



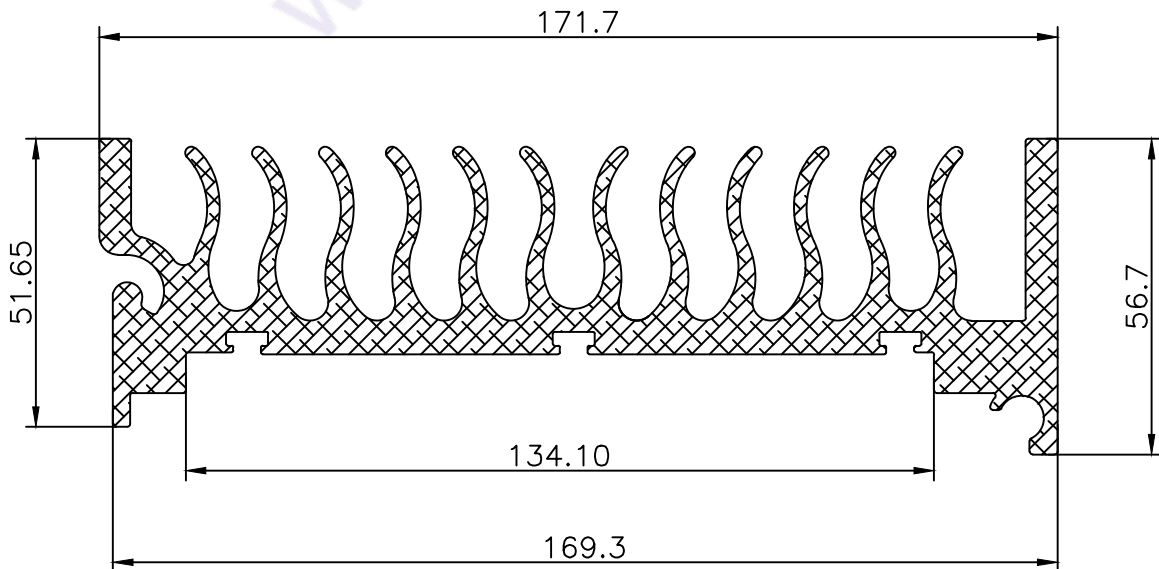
HS0444

Wt.Kg./M-0.228
Wt.Kg./M 0.205-0.250



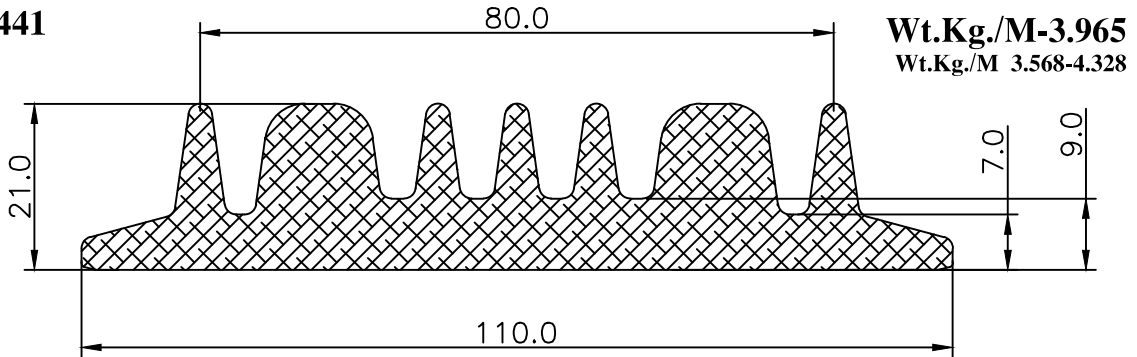
24301

Wt.Kg./M-7.759
Wt.Kg./M 6.983-8.531

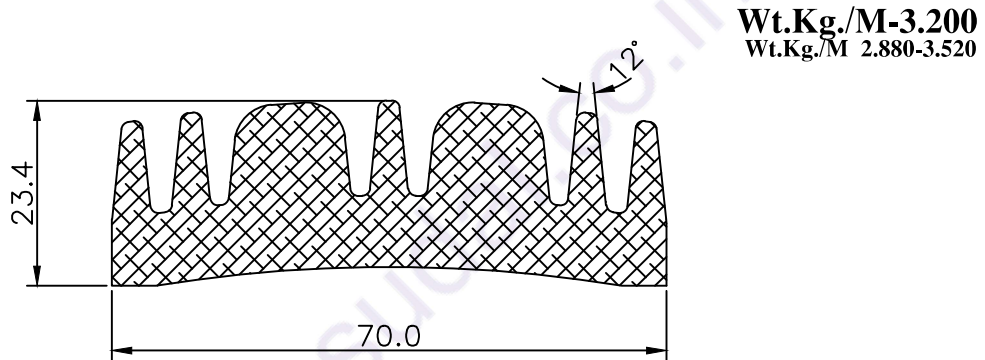


ELECTRONICS (Heat Sink)

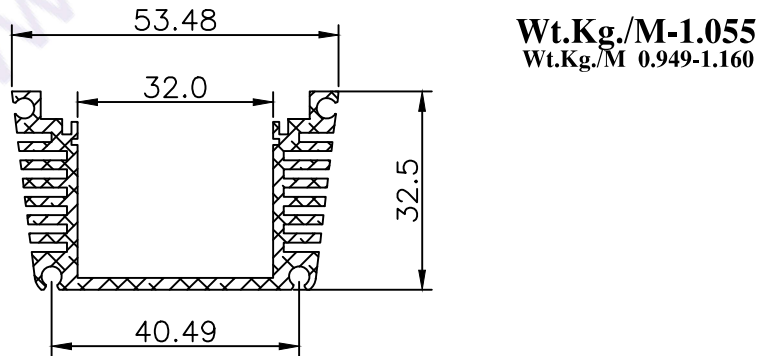
HS0441



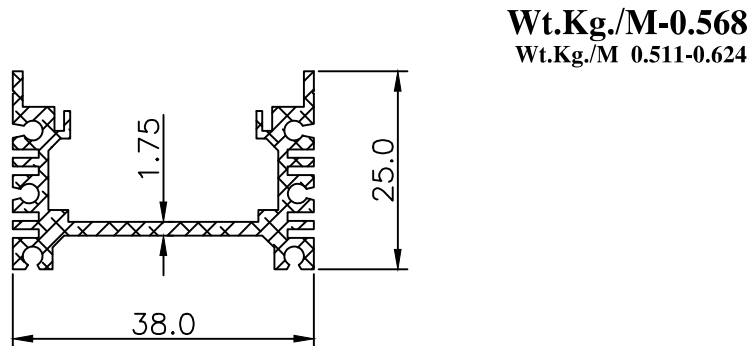
HS0442



HS0446



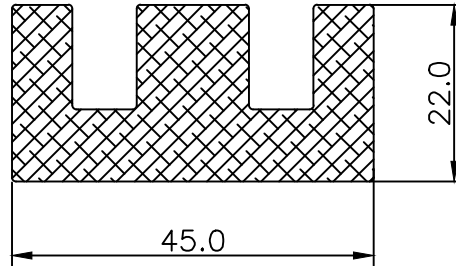
HS0447



ELECTRONICS (Heat Sink)

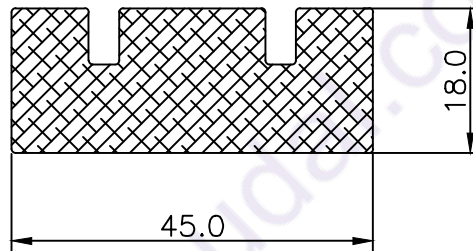
24709

Wt.Kg./M-2.110
Wt.Kg./M 1.899-2.321



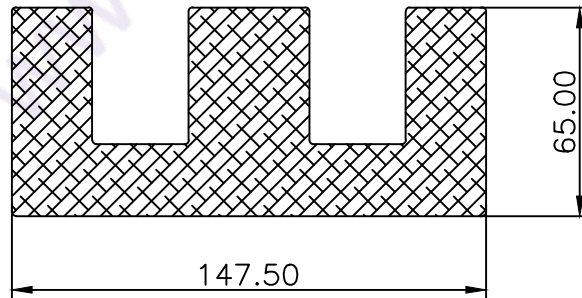
24710

Wt.Kg./M-2.042
Wt.Kg./M 1.837-2.246



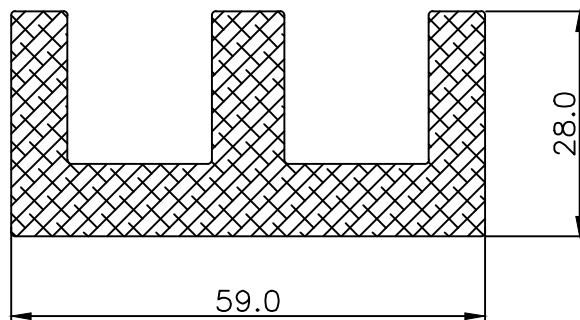
24707

Wt.Kg./M-3.039
Wt.Kg./M 2.735-3.342



24708

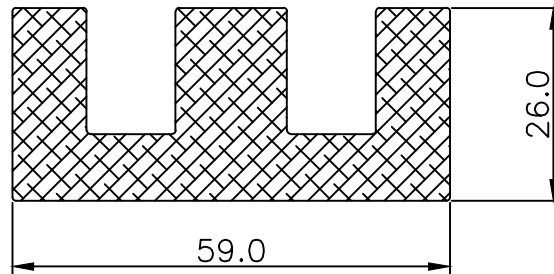
Wt.Kg./M-2.613
Wt.Kg./M 2.351-2.874



ELECTRONICS (Heat Sink)

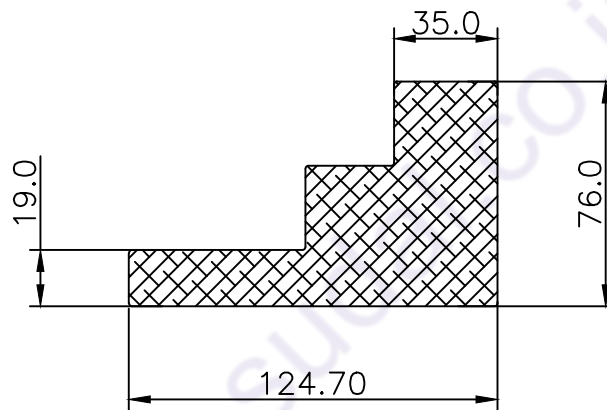
24707

Wt.Kg./M-3.039
Wt.Kg./M 2.735-3.342



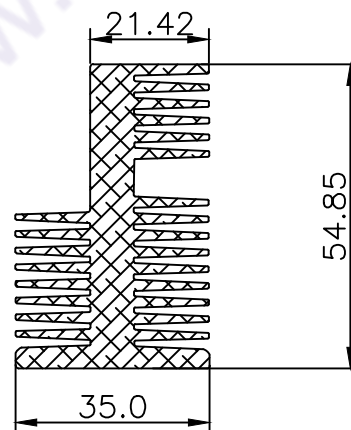
300016

Wt.Kg./M-14.089
Wt.Kg./M 12.680-15.498



300017

Wt.Kg./M-2.720
Wt.Kg./M 2.448-2.992



300015

Wt.Kg./M-0.467
Wt.Kg./M 0.420-0.513

