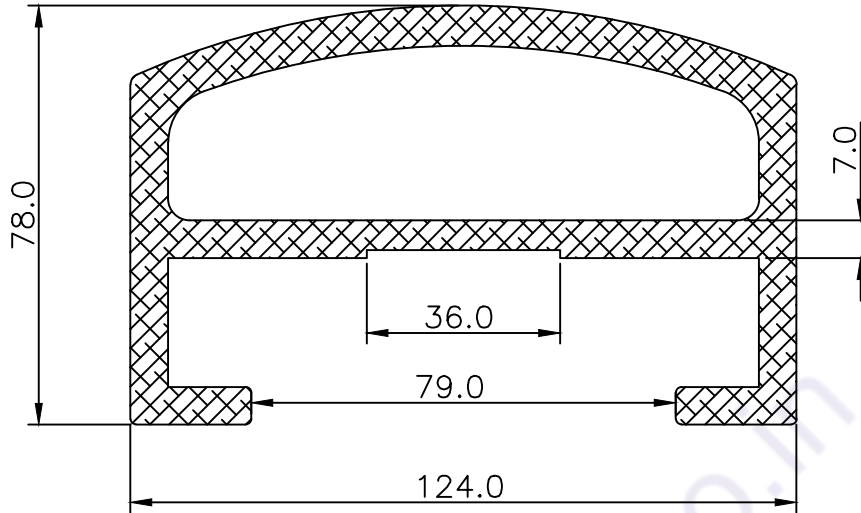


MEDICAL EQUIPMENT

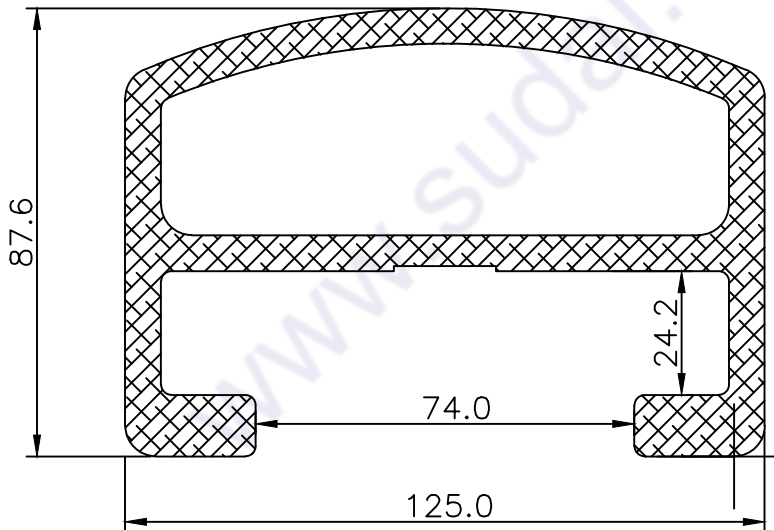
10518

Wt.Kg./M-7.361
Wt.Kg./M 6.624-8.097



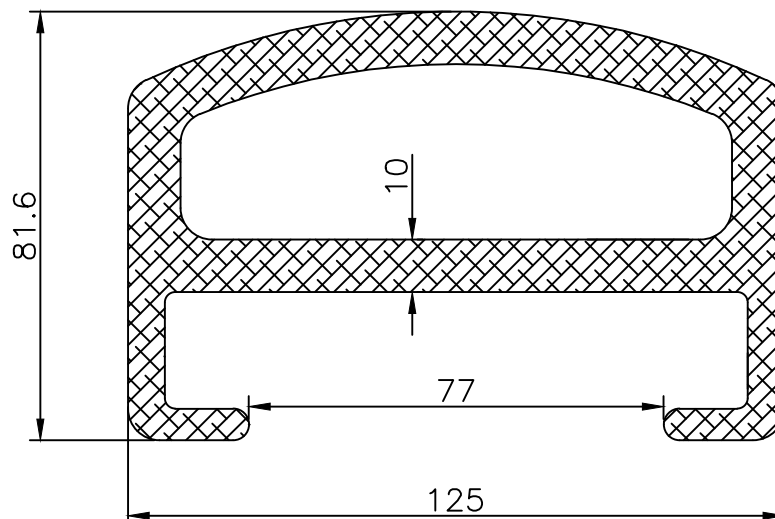
10069

Wt.Kg./M-8.235
Wt.Kg./M 7.411-9.058



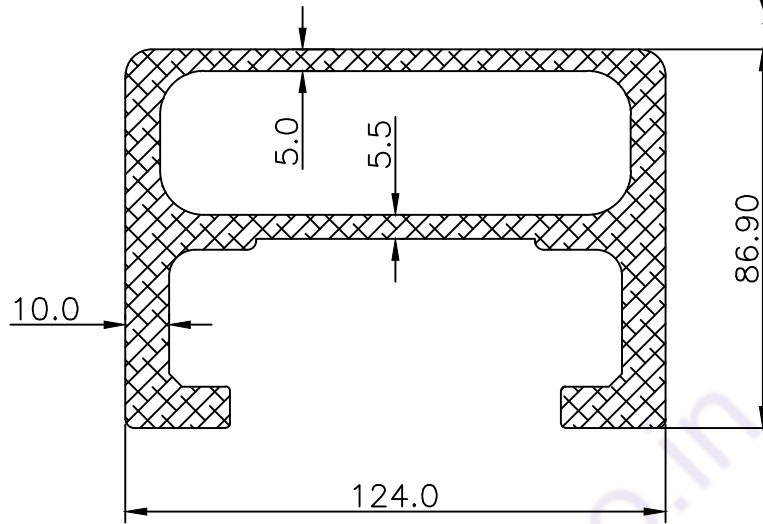
8890

Wt.Kg./M-9.610
Wt.Kg./M 8.649-10.571



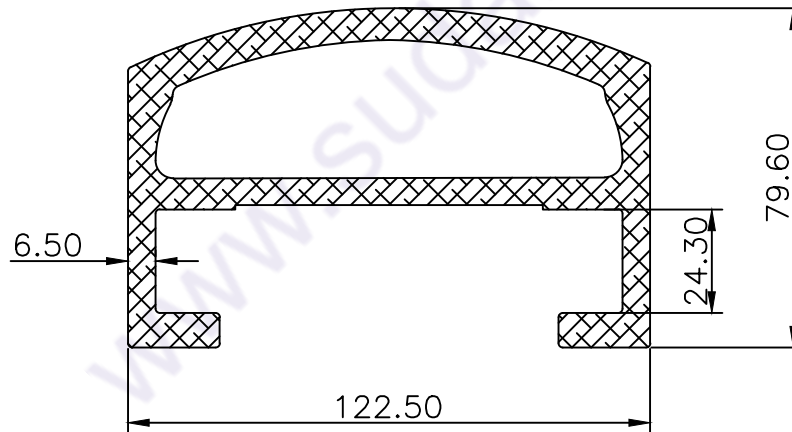
MEDICAL EQUIPMENT

450001



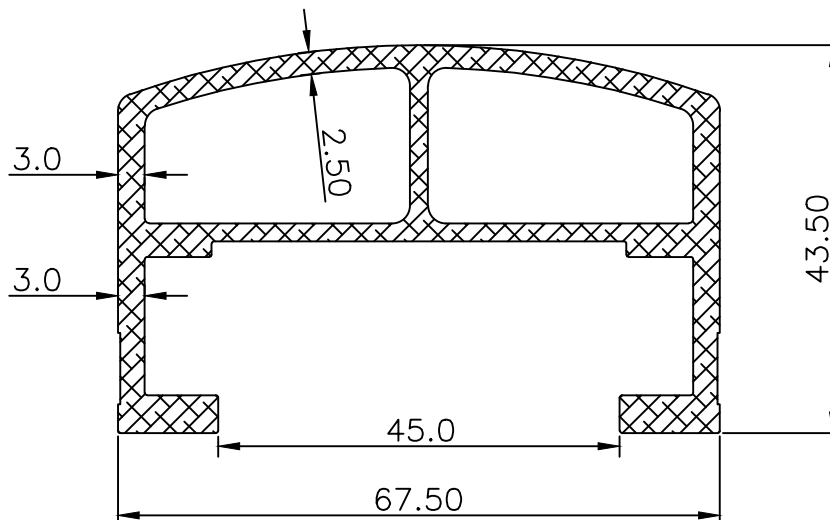
Wt.Kg./M-5.163
Wt.Kg./M 4.646-5.679

450002



Wt.Kg./M-7.639
Wt.Kg./M 6.875-9.502

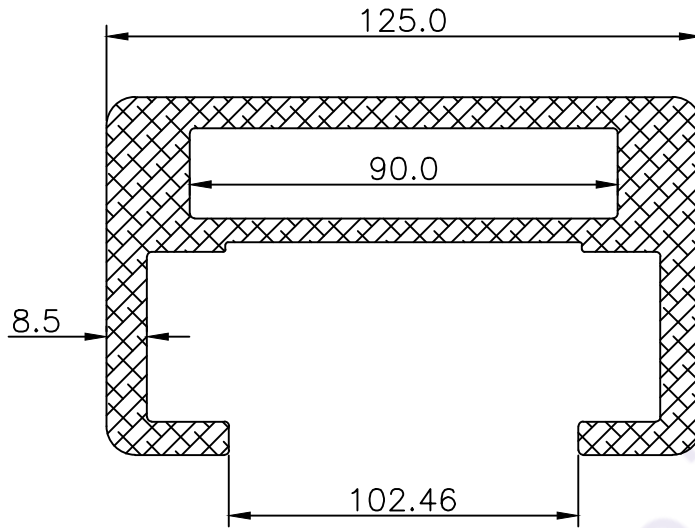
12858



Wt.Kg./M-6.897
Wt.Kg./M 6.207-7.586

MEDICAL EQUIPMENT

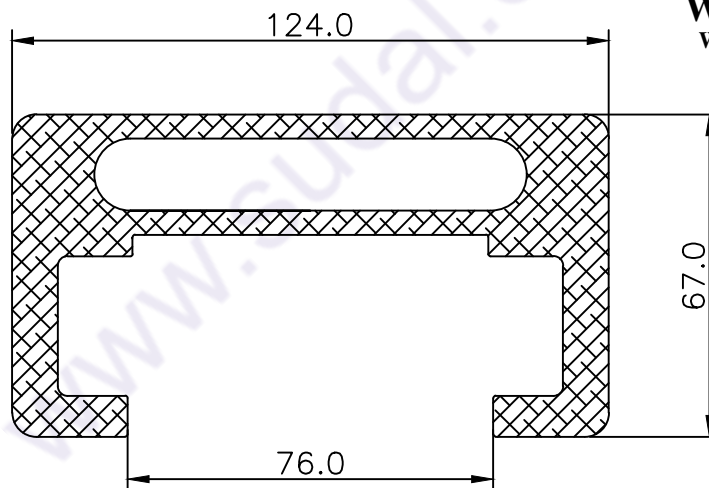
13533



Wt.Kg./M-8.477

Wt.Kg./M 7.629-9.324

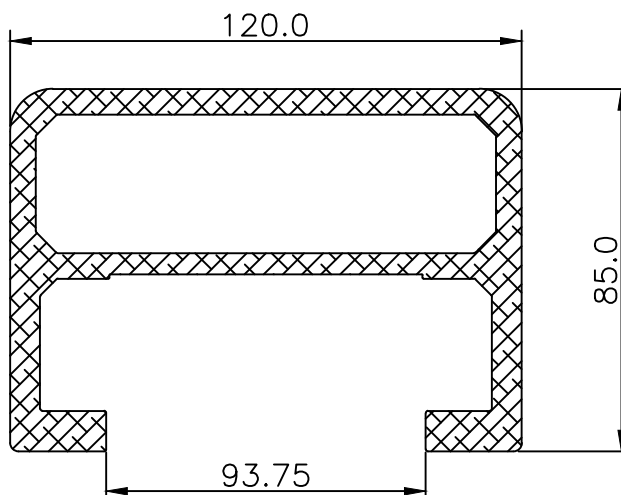
13306



Wt.Kg./M-8.00

Wt.Kg./M 7.200-8.800

13417



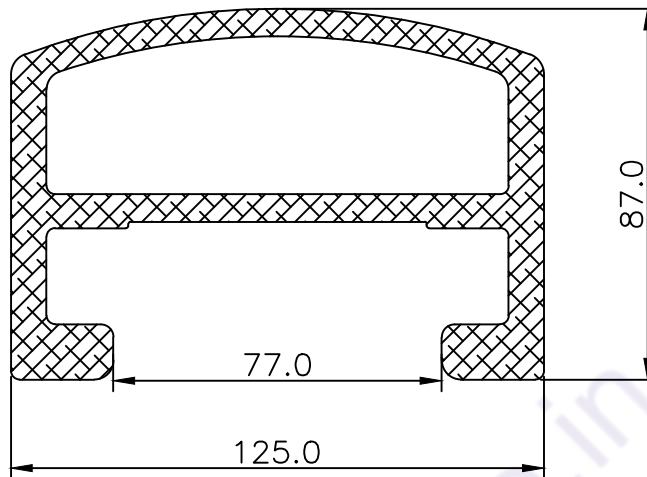
Wt.Kg./M-7.126

Wt.Kg./M 6.413-7.838

MEDICAL EQUIPMENT

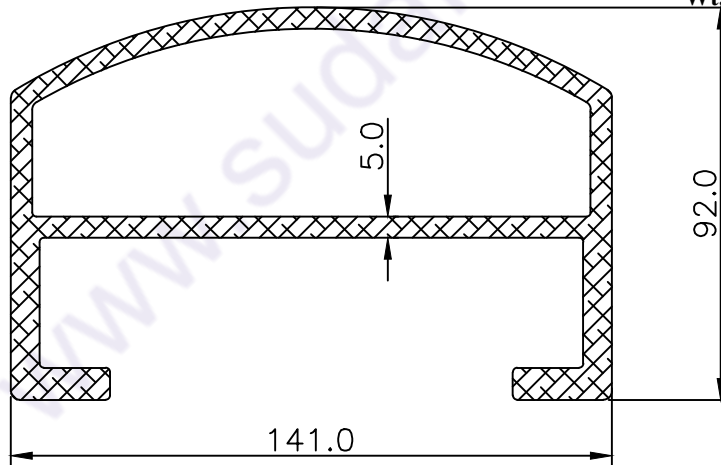
13452

Wt.Kg./M-8.504
Wt.Kg./M 7.653-9.354



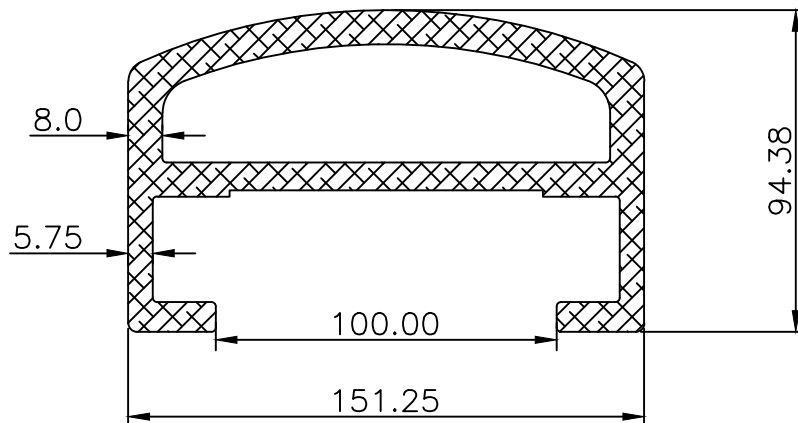
13494

Wt.Kg./M-6.627
Wt.Kg./M 5.964-7.289



13483

Wt.Kg./M-7.238
Wt.Kg./M 6.514-7.961



MEDICAL EQUIPMENT

450003

Wt.Kg./M-7.358
Wt.Kg./M 6.622-8.060

